

Pack content:

- 1 aluminium container with 100 test strips
- 2 bottles NH_4^+-1
- 1 measuring vessel with 5 mL mark

Measuring range:

Visually
10–400 mg/L NH_4^+

Reflectometrically
10–350 mg/L NH_4^+

Color gradation:

0 · 10 · 25 · 50 · 100 · 200 · 400 mg/L NH_4^+

Safety precautions:

Reagent NH_4^+-1 contains sodium hydroxide solution 32 % CAS 1310-73-2. DANGER Causes severe skin burns and eye damage. Do not breathe vapors. Wear protective gloves/eye protection. IF SWALLOWED: rinse mouth. Do NOT induce vomiting. IF ON SKIN (or hair): Remove/ Take off immediately all contaminated clothing. Rinse skin with water/shower. IF INHALED: Remove to fresh air and keep at rest in a position comfortable for breathing. IF IN EYES: Rinse cautiously with water for several minutes. Remove contact lenses, if present and easy to do. Continue rinsing. For further information, please ask for safety data sheet (see www.mn-net.com/MSDS).

General indications:

Remove only as many test strips as are required. Close the container immediately after removing a strip. Do not touch the test field.

Additional indications:

The yellow colouration of the unused test fields is normal and does not indicate any decomposition of the reagents.

Instructions for use:

- Rinse the measuring vessel with the test solution and fill it to the 5 mL mark.
- Add 10 drops NH_4^+-1 (sodium hydroxide solution) to the sample.
- Shake carefully.
- Dip the test strip into the test solution for 5 s.
- Shake off excess liquid.
- Compare with the color scale.

If ammonium ions are present, the test field turns orange.

Interferences:

This test is intended for the detection of ammonium in surface and drinking water and in industrial waste water which do not contain high concentrations of interfering ions, such as water hardeners (calcium, magnesium), iron and sulfide ions. The determination of ammonium is not impaired by the following maximum foreign substance concentrations: 10.000 mg/L S^{2-} , 1000 mg/L Cl^- , Mg^{2+} , SO_4^{2-} , 100 mg/L Ca^{2+} , 10 mg/L Fe^{2+}

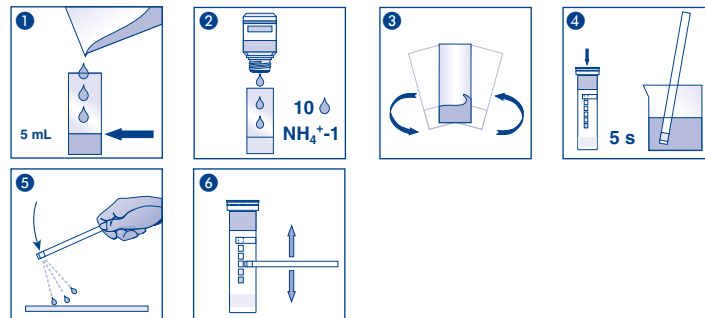
Disposal:

The used test strips must be collected for special hazard waste treatment.

Storage:

Avoid exposing the strips to sunlight and moisture. Keep container cool and dry (storage temperature 4–30 °C).

If correctly stored, the test strips may be used until the use-by-date printed on the packaging.



REF	Artikelnummer / Item number / Référéncie produit / Referencia / Artikelnummer / Numero di catalogo / Numer artykułu	LOT	Chargencode / Batch identification / Numéro de lot / Código de lote / Productienuummer / Codice del lotto / Numer partii
!	Achtung! / Warning! / Attention! / ¡Atención! / Let op! / Attenzione! / Uwaga!	Use by	Verwendbar bis / Use by / À utiliser avant / Fecha de caducidad / Te gebruiken tot / Utilizzare entro (anno/mese) / Przydatność do użycia
Thermometer	Temperaturbegrenzung / Permitted storage temperature range / Limites de température / Límites de temperatura / Temperatuurbegrenzung / Limite de temperatura / Ograniczenie temperatury	Umbrella	Trocken aufbewahren / Store in a dry place / Conserver au sec / Mantener seco / Op een droge plaats bewaren / Mantener asciutto / Przechowywać w suchym miejscu
i	Gebrauchsanweisung beachten / Please read instructions for use / Respecter les instructions d'utilisation / Observense las instrucciones de uso / Lees de bijsluiters / Consultare le istruzioni per l'uso / Przestrzegać instrukcję użycia	!	Packung geschlossen halten / Keep container closed / Refermer la boîte / Mantenga el envase cerrado / Verpakking gesloten houden / Conservare la confezione chiusa / Przechowywać pojemnik szczelnie zamknięty
Σ	Ausreichend für <n> Prüfungen / Contains sufficient for <n> tests / Contenu suffisant pour <n> tests / Contenido suficiente para <n> tests / Voldoende voor <n> tests / Contenuto sufficiente per <n> test / Wystarczająco dla kontroli <n>		